

Machines for the Production of Cotton Pads for Cosmetic Use

Overview

LINKS S.r.l. can offer a wide range of cotton pads machines according to any specific request coming from the customers.

Our production range includes models to produce pads of different shapes and dimensions.

All our machines can produce round, square, rectangular and oval pads. The cutting tools can be equipped with the stitching tools in order to produce "Stitched pad".

As option, we can provide several types of unwinding unit to properly feed the pads machine as well as a wide range of embossing units to compact and imprint a drawing on the material surface.

All our pads machines can be fed both with a carded cotton or with spunlace cotton tape.

The main difference from DL1, DL2, DL3 machines is the number of cutting dies that give the production capacity of the machines.





DL1 MACHINE

Range of production:
Round pads diameter 57 mm.

Production:
More than 720 pads per minute

Feeding:
Cotton band 195-200 mm wide

Waste:
30 - 32%

Operators:
One

DL2 MACHINE

Range of production:
Round pads diameter 57 mm.

Production:
More than 950 pads per minute

Feeding:
Cotton band 245-250 mm wide

Waste:
31 - 33%

Operators:
One

DL3 MACHINE

Range of production:
Round pads diameter 57 mm.

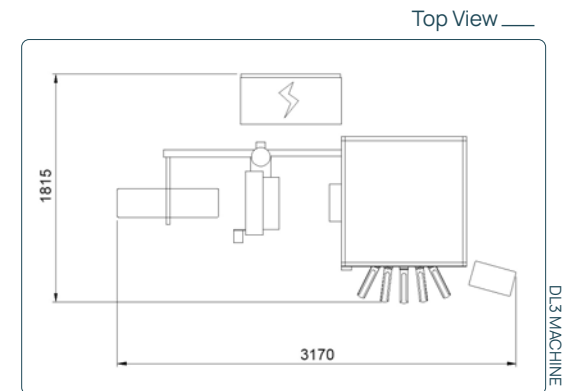
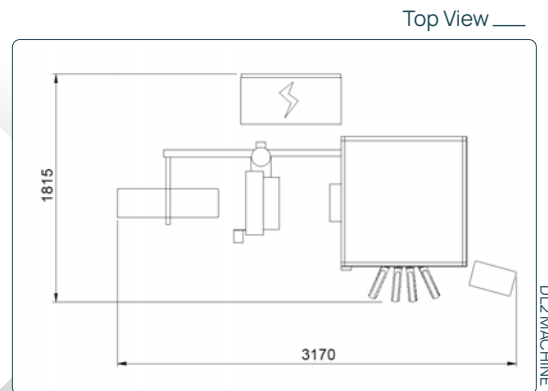
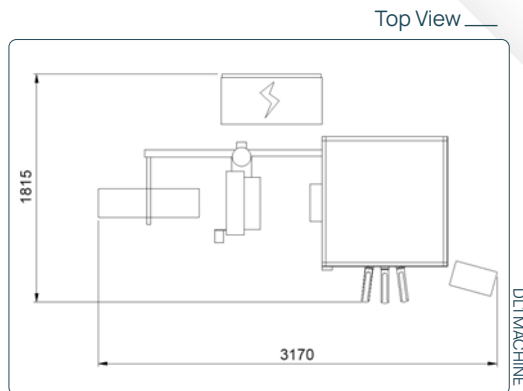
Production:
More than 1150 pads per minute

Feeding:
Cotton band 300 mm wide

Waste:
30 - 32%

Operators:
One/two
depending by the number of pads per bag

Technical Layout



Product Highlights / Options

- ✓ Embossing drawing.
- ✓ Stitched pads available.
- ✓ Several pads shapes and dimensions.